



LIFE SAFETY & INCIDENT MANAGEMENT

Wall Mount Signaling Appliances

Genesis LED G4 Series



Overview

Genesis LED G4 Series horns and LED strobes feature a sleek low profile design and energy-efficient technology that makes them less expensive to install and operate by reducing overhead. High performance LEDs require fewer power supplies, backup power, and batteries. These new appliances are designed with, energy-efficiency, and life safety in mind.

Genesis LED G4 Series uses high efficiency optics, combined with patented electronics, to deliver a highly controlled and efficiently focused light distribution pattern in exchange for lower current requirements. Strobes feature field-selectable 15, 30, 75, or 110 cd light output.

Compared with Xenon-type strobes, Genesis LED G4 Series appliances need fewer power supplies and often smaller wire gauge, which lightens conduit requirements. They are also backwards compatible with legacy strobes, so there's no need to replace all your existing devices to upgrade to new LED technology. In fact, G4 strobes can be mixed on the same circuit and used in the same field of view as Xenon-based strobes. This makes Genesis LED G4 Series ideal for new installations and retrofits alike.

Field-configurable sound output levels provide the flexibility modern life safety projects demand, while the Genesis LED control protocol keeps multiple strobes on compatible NAC circuits synchronized to well within NFPA 72 requirements.

Serviceability is another area where G4 Series appliances shine. The universal room side wiring plate allows for pre-installation and electrical wiring as well as checking continuity with the included diagnostics check bar. G4 Series devices can then be easily snapped into place with the confidence of knowing the wiring is correct. The innovative under-cover diagnostic test points provide easy access to device circuit testing while mounted.

Standard Features

- **High Performance LED Strobe Technology**
 - Ultra low device current consumption allows:
 - More devices per circuit
 - Ability to use lower gauge wire
 - Longer wire runs
 - Fewer booster power supplies
 - High efficiency optics
 - Selectable 15, 30, 75, or 110 cd light output
 - LED devices may be mixed with legacy Xenon strobes
- **Efficient Audible Output**
 - Selectable high or low dB horn output
 - Selectable temporal or steady horn output
 - Improved audio frequency range for better wall penetration
- **Low-profile Design**
 - Ultra-slim... protrudes about 1.5" from the mounting surface
 - Attractive appearance... no visible mounting screws
- **Multiple "FIRE" Marking Options**
 - Order English, French, Spanish or no FIRE markings
 - Change markings at any time with replaceable quick-swap covers
- **Easy to Install**
 - Pre-install and pre-wire with convenient universal room side wiring plate
 - Check electrical continuity on room side wiring plate with included diagnostics check bar
 - Diagnostics port streamlines device circuit testing
 - Fits 1-gang, 2-gang, 3.5-inch octagon, and 4-inch square electrical boxes
 - Optional red and white trim plates available
 - Slide switches for field configuration
 - 12 to 18 AWG in-out screw terminals for quick wiring

Application

Strobes

Genesis G4 Series strobes are UL 1971-listed for use indoors as wall-mounted public-mode notification appliances for the hearing impaired. Prevailing codes require strobes to be used where ambient noise conditions exceed 105 dBA (87 dBA in Canada), where occupants use hearing protection, and in areas of public accommodation as defined in the *Americans with Disabilities Act*.

Synchronization is important in order to avoid triggering seizures in people with photosensitive epilepsy. All Genesis strobes exceed UL synchronization requirements (within 10 milliseconds over a two-hour period) when used with a synchronization source. See the specifications table for a list of compatible sources.

Horns

Genesis horn output reaches as high as 92 dBA and features an improved audio frequency range compared with other Genesis horns. This results in excellent sound penetration through walls and a clear warning of danger. Horn only models may be configured for either coded or non-coded notification appliance circuits. They can also be set for high or low dBA output. This setting reduces horn output by about 6 dBA. Horn-only models may be ceiling-mounted or wall-mounted.

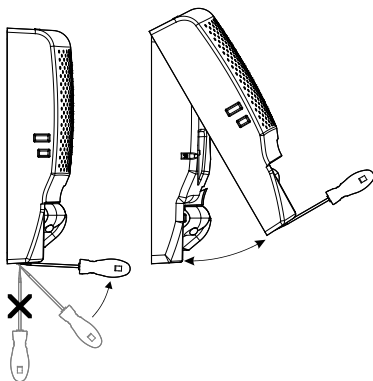
The suggested sound pressure level for each signaling zone used with alarm signals is at least 15 dBA above the average ambient sound level, or 5 dBA above the maximum sound level having a duration of at least 60 seconds, whichever is greater. These values are measured at five feet (1.5 m) above the floor. The average ambient sound level is A-weighted, fast response sound pressure measured over a 24-hour period.

Doubling the distance from the signal to the ear will theoretically result in a 6 dBA reduction of the received sound pressure level. The actual effect depends on the acoustic environment in the space. A 3 dBA difference represents a barely noticeable change in volume.

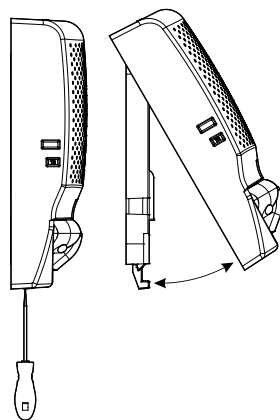
Installation

Genesis G4 horns and strobes mount to the required GP10 room side wiring plate. The GP10 mounting plate is ordered separately from the G4 device in packs of 10 for convenient pre-installing and pre-wiring. The device can be removed easily from the room side wiring plate by pushing up with a screwdriver. The cover can also be removed from the device easily with a screwdriver to access the light and sound output settings and a diagnostics test port for voltage testing.

Removing Cover

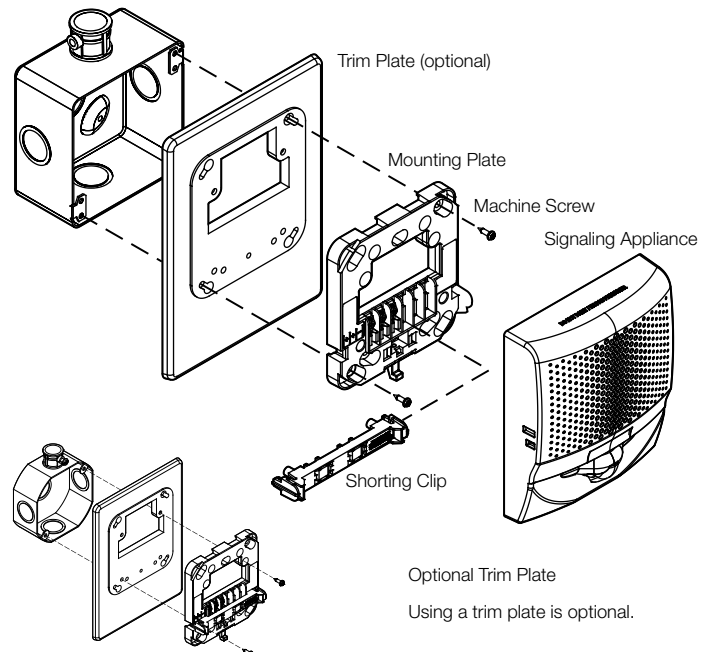


Removing Device



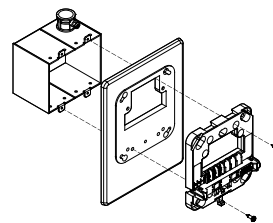
Genesis LED G4 Series horns, strobes, and horn-strobes mount to any standard one-gang, two-gang, 3.5-inch octagon, and 4-inch square electrical box. Matching optional G4T trim rings are available to cover oversized openings. Optional color matched double-gang surface boxes are also available.

Electrical Box

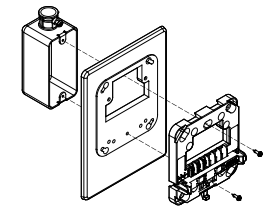


3.5-inch Octagon Electrical Box

Optional Trim Plate
Using a trim plate is optional.

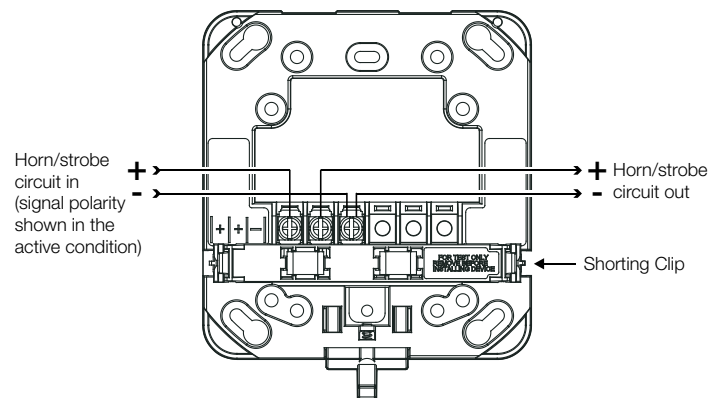


Two-gang Electrical Box



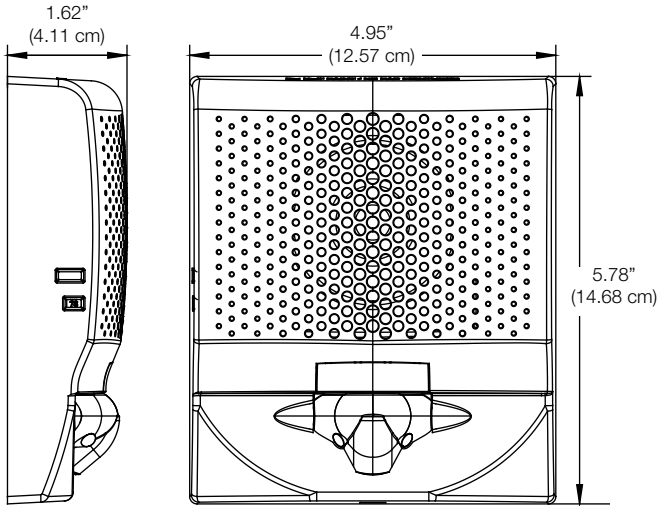
One-gang Electrical Box

Wiring

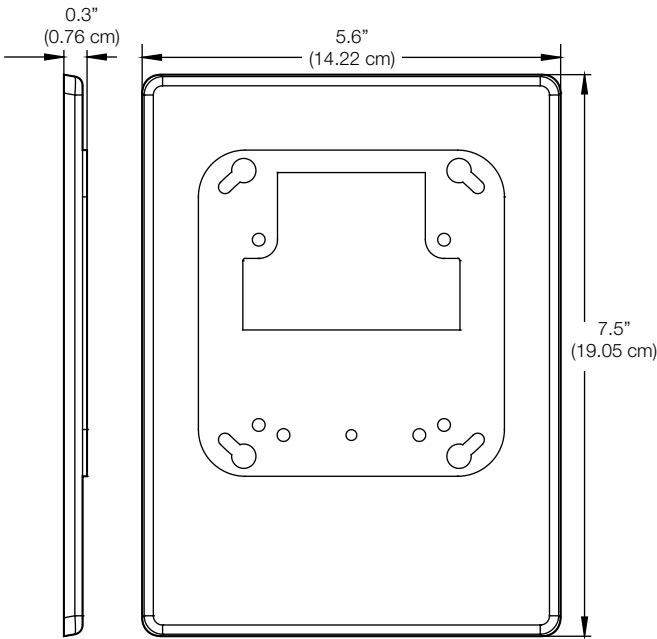


Dimensions

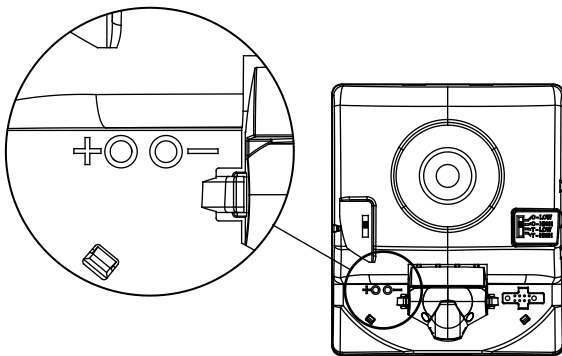
G4 Notification Appliances



G4T Trim Plate (optional)



Diagnostics



Test points indicated above are used to validate the Notification Appliance Circuit and verify device function.

Field Configuration

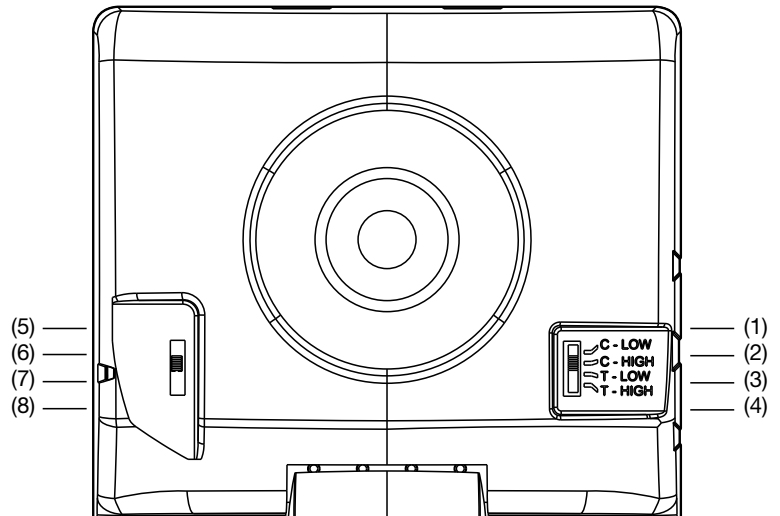
Temporal horn and horn-strobe models are factory set to sound in a three-pulse temporal pattern. By sliding the tone selector switch, horn only models may be configured for constant horn output that can be coded at precise intervals by EDWARDS control panels and control modules.

Note: Temporal 3 coding is the required output for fire notification devices per NFPA 72. Any device coding other than temporal 3 is at the discretion and approval of the local authority having jurisdiction (AHJ).

Horns and horn-strobes are factory set for high dB output. Low dB output may be selected by sliding the tone selector switch. This reduces the output by about 6 dBA.

Genesis LED clear strobes and horn-strobes may be set for 15, 30, 75, or 110 candela output. The output setting is changed by simply removing the cover and sliding the candela switch to the desired setting. The device does not have to be removed from the wall to change the output setting. The setting remains visible through a small window on the left-hand side of the device after the cover is closed.

Light and Sound Output Settings



- (1) Constant, low dB
- (2) Constant, high dB
- (3) T3 temporal, low dB
- (4) T3 temporal, high dB
- (5) 110 candela
- (6) 75 candela
- (7) 30 candela
- (8) 15 candela

Operating current

Horns

Sound setting	16 to 33 VDC	16 to 33 VFWR
C-Low, T-Low	18 mA	22 mA
C-High, T-High	28 mA	38 mA

Strobes

Strobe setting	16 to 33 VDC	16 to 33 VFWR
15, 30, 75, 110	28 mA	36 mA

Horn-Strobes

Strobe setting	Sound setting	16 to 33 VDC	16 to 33 VFWR
15, 30, 75, 110	C-Low, T-Low	40 mA	48 mA
	C-High, T-High	50 mA	60 mA

Sound Output

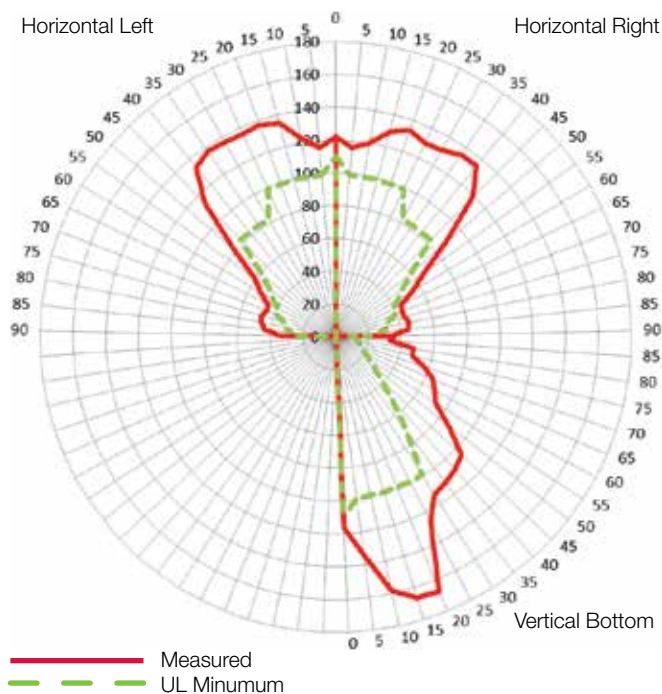
Horn & Horn-Strobe

Sound setting	Reverberant (UL464)	Anechoic (CAN/ULC - 5925)
C-Low, T-Low	80 dBA	86 dBA
C-High, T-High	85 dBA	92 dBA

Sound pattern (ULC)

Axis	Angle	Change in output
Horizontal	135° and 45°	-3 dBA
	150° and 30°	-6 dBA
Vertical	135° and 40°	-3 dBA
	150° and 30°	-6 dBA

Light Distribution




Specifications


Operating voltage	16 to 33 VDC, 16 to 33 VFWR
Horn signal type	Constant or TC3 temporal
Light output	15, 30, 75, or 110 candela
Strobe flash rate	1 fps (flash per second) approx.
Synchronization	20 Ω max. between any two devices. To determine allowed wire resistance, refer to these specifications, and the specifications for the synchronized signal source.
Synchronization Sources	Edwards CC Series Signal Modules, Booster and Auxiliary Power Supplies, Intelligent and Conventional Control Panels
Wire size	12 to 18 AWG (0.75 to 2.50 mm ²)
Dimensions (WxHxD)	4.95 x 5.78 x 1.62 in (12.57 x 14.68 x 4.11 cm)
Strobe-to-box center offset	-1.70 inches (-4.32 cm)
Compatible electrical boxes [1]	1-gang, 2-gang, 3.5-inch octagon, 4-inch square
Trim plates	G4TR, G4TW (5.6 x 7.5 x 0.3 in (14.22 x 19.05 x 0.76 cm))
Operating environment	
Temperature	32 to 122°F (0 to 50°C)
Relative humidity	0 to 93% noncondensing
Storage Temperature	-40 to 158 F (-40 to 70 C)


[1] Electrical boxes must be at least 1-1/2 in. (3.81 cm) deep.


Ordering Information


FOR REFERENCE ONLY


Notification Appliances	Color	Marking
 Horns	G4ARF	Red FIRE
	G4ARF-FR	Red FEU
	G4ARF-SP	Red FUEGO
	G4ARN	Red None
	G4AWF	White FIRE
	G4AWF-FR	White FEU
	G4AWF-SP	White FUEGO
	G4AWN	White None

Replacement Appliance Covers	Color	Marking
 Horn Covers	G4ARA-CVR	Red ALERT
	G4ARF-CVR	Red FIRE
	G4ARF-FR-CVR	Red FEU
	G4ARF-SP-CVR	Red FUEGO
	G4ARN-CVR	Red None
	G4AWA-CVR	White ALERT
	G4AWF-CVR	White FIRE
	G4AWF-FR-CVR	White FEU
G4AWF-SP-CVR	White FUEGO	
G4AWN-CVR	White None	




 Strobes	G4VRF	Red FIRE
	G4VRF-FR	Red FEU
	G4VRF-SP	Red FUEGO
	G4VRN	Red None
	G4VWF	White FIRE
	G4VWF-FR	White FEU
	G4VWF-SP	White FUEGO
	G4VWN	White None

 Strobe Covers	G4VRA-CVR	Red ALERT
	G4VRF-CVR	Red FIRE
	G4VRF-FR-CVR	Red FEU
	G4VRF-SP-CVR	Red FUEGO
	G4VRN-CVR	Red None
	G4VWA-CVR	White ALERT
	G4VWF-CVR	White FIRE
	G4VWF-FR-CVR	White FEU
G4VWF-SP-CVR	White FUEGO	
G4VWN-CVR	White None	

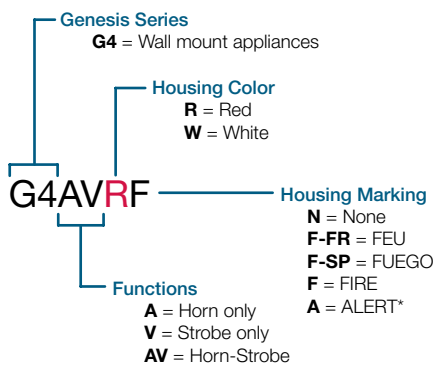
 Horn-strobes	G4AVRF	Red FIRE
	G4AVRF-FR	Red FEU
	G4AVRF-SP	Red FUEGO
	G4AVRN	Red None
	G4AVWF	White FIRE
	G4AVWF-FR	White FEU
	G4AVWF-SP	White FUEGO
	G4AVWN	White None

 Horn-strobe Covers	G4AVRA-CVR	Red ALERT
	G4AVRF-CVR	Red FIRE
	G4AVRF-FR-CVR	Red FEU
	G4AVRF-SP-CVR	Red FUEGO
	G4AVRN-CVR	Red None
	G4AWA-CVR	White ALERT
	G4AVWF-CVR	White FIRE
	G4AVWF-FR-CVR	White FEU
G4AVWF-SP-CVR	White FUEGO	
G4AVWN-CVR	White None	

Accessories

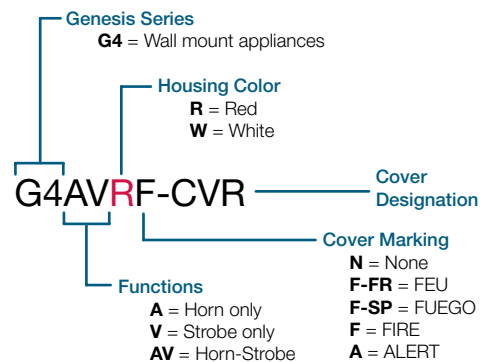
 GP10	Room Side Wiring Plate (required, ordered separately)	 G4TR	Trim plate, G4 Series, red	 G4TW	Trim plate, G4 Series, white
		27193-21	Two-gang surface mount box, red	27193-26	Two-gang surface mount box, white

Model Number Syntax, Appliances



* ALERT Marking available on white strobe model only. See replacement covers for more options.

Model Number Syntax, Replacement Covers





LIFE SAFETY & INCIDENT MANAGEMENT

Contact us

Phone: 800-655-4497 (Option 4)

Email: edwards.fire@carrier.com

Website: edwardsfiresafety.com

8985 Town Center Pkwy
Bradenton, FL 34202

© 2020 Carrier
All rights reserved.
