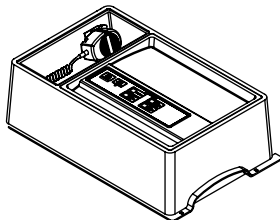


3X-PMI Paging Microphone Interface

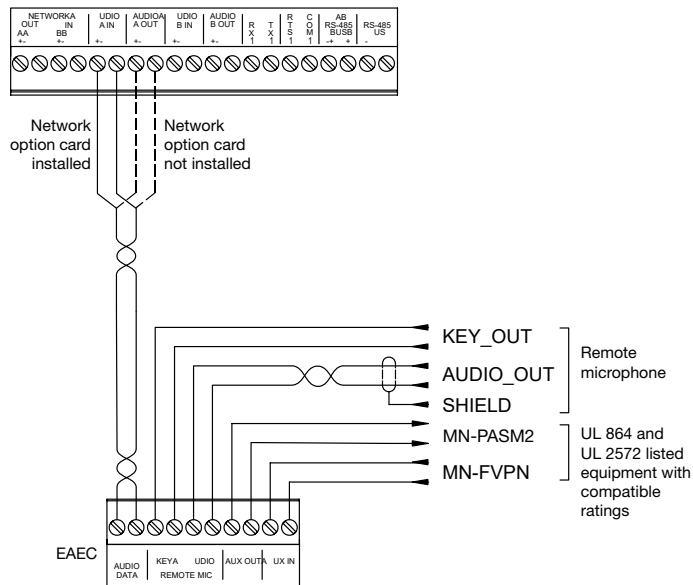
The 3X-PMI Paging Microphone Interface provides controls for emergency voice/alarm communications. It consists of an audio mounting bracket, EAEC Emergency Audio Evacuation Controller card, audio enclosure, and paging microphone.



3X-PMI Paging Microphone Interface Specifications

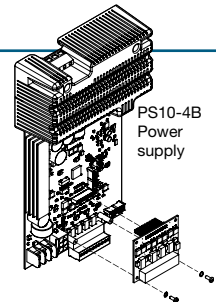
Voltage	24 VDC	
Current	Standby	23mA
	Alarm	29mA
Ground fault impedance	10 kΩ	
Wire size	18 to 12 AWG (0.75 to 2.50 mm ²)	
Audio channels	8 simultaneous	
Audio inputs	Local microphone	Isolated and supervised
	Remote microphone	Isolated and supervised
	Remote audio	Isolated and supervised
EAEC communication	See the EAEC Emergency Audio Evacuation Control Installation Sheet (P/N 3101789)	
Messages	Storage	2 min. total
	Length	39 sec. max.
Controls and indicators	Common	
	Paging Volume	Indicates relative signal strength during active page
	Ready To Page	Flashes during preannouncement tone, steady when ready to page
	Paging Microphone	All Call Activates/deactivates page to all areas
	All Call Minus	Activates/deactivates page to areas not receiving EVAC or Alert message
	Page To Evac	Activates/deactivates page to areas currently receiving the EVAC message
	Page To Alert	Activates/deactivates page to areas currently receiving the Alert message
Operating environment	Temperature	32 to 120°F (0 to 49°C)
	Relative humidity	0 to 93% noncondensing

SFS1-CPU



CLA-PS10 Class A Adapter Card

The CLA-PS10 Class A Adapter Card is an optional card used to convert the four Class B notification appliance/auxiliary power circuits on the power supply card to Class A.



CLA-PS10 Class A Adapter Card

CLA-PS10 Specifications

Voltage	24 VDC	
Notification appliance/Auxiliary power circuits	UL rating	Special application or Regulated
	Quantity	4
Performance class	Class A	
Output current	Special 3.0 A; Regulated: 1.5 A each circuit	
EOLR	15 kΩ (UL P/N EOL-15, ULC P/N EOL-P1)	
Wiring	Supervised, power-limited	
Wire size	18 to 12 AWG (0.75 mm ² to 2.50 mm ²)	
Operating environment	Temperature	32 to 120 °F (0 to 49 °C)
	Relative humidity	0 to 93% noncondensing